

SER. LIF FULL VIEW 150# FLANGED SIGHT FLOW INDICATOR

PAPAILIAS, Inc. Series LIF 150# flanged ended 360° full view cylindrical sight flow indicators are used to observe the flow of liquids in a piping system. The Series LIF features ANSI class 150 Flanged ends [standard] in a variety of sizes to match the diameter of the pipe being used. Carbon Steel or T316 Stainless steel flanged ends are standard with a wide range optional materials available. Custom flange drillings and lengths are available upon request. Various accessories include an impact shield to protect the viewing tube from external forces, lighting fixtures, an internal visual flow indicators [drip tube or flutter indicators] and PTFE lining.

DESIGN CONDITIONS:

Pressure: Up to 150PSIG/FV @500°F depending on size, cylinder material and gasket material. Higher pressure ratings available. Consult factory for details.

Temperature: Borosilicate Glass, ≤ 500°F
 Quartz Glass, >500°F
 Lexan/Acrylic (Non-Glass), ≤ 200°F

STANDARD MATERIALS OF CONSTRUCTION:

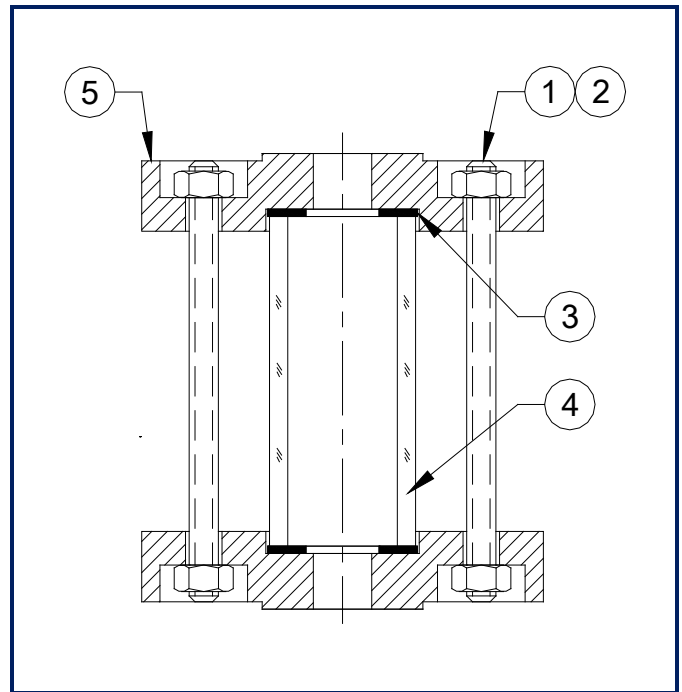
Item	Description	Material
1,2	Stud & Nut	Stainless Steel Zinc Plated Steel Teflon Coated Other (Upon Request)
3	Seal Gasket	EPDM Elastomer [300°F Max] Expanded PTFE [500°F Max] Fluoroelastomer [400°F Max] Graphite [>500°F] Other (Upon Request)
	Cylinder	Borosilicate Glass, [Standard] Quartz Glass [Option] Lexan or Acrylic, Non-Glass [Option]
4	End Flanges	Carbon Steel [Standard] T316 Stainless Steel [Standard] CPVC or PVC [Option] Hastelloy C22 or C276[Option] Other (Upon Request)

DOCUMENTATION:

- a. Certified Material Test Report [CMTR] for flanges.
- b. Certificate of Compliance [upon request]
- c. CMTRs for Lens Retainers & Fasteners [upon request]



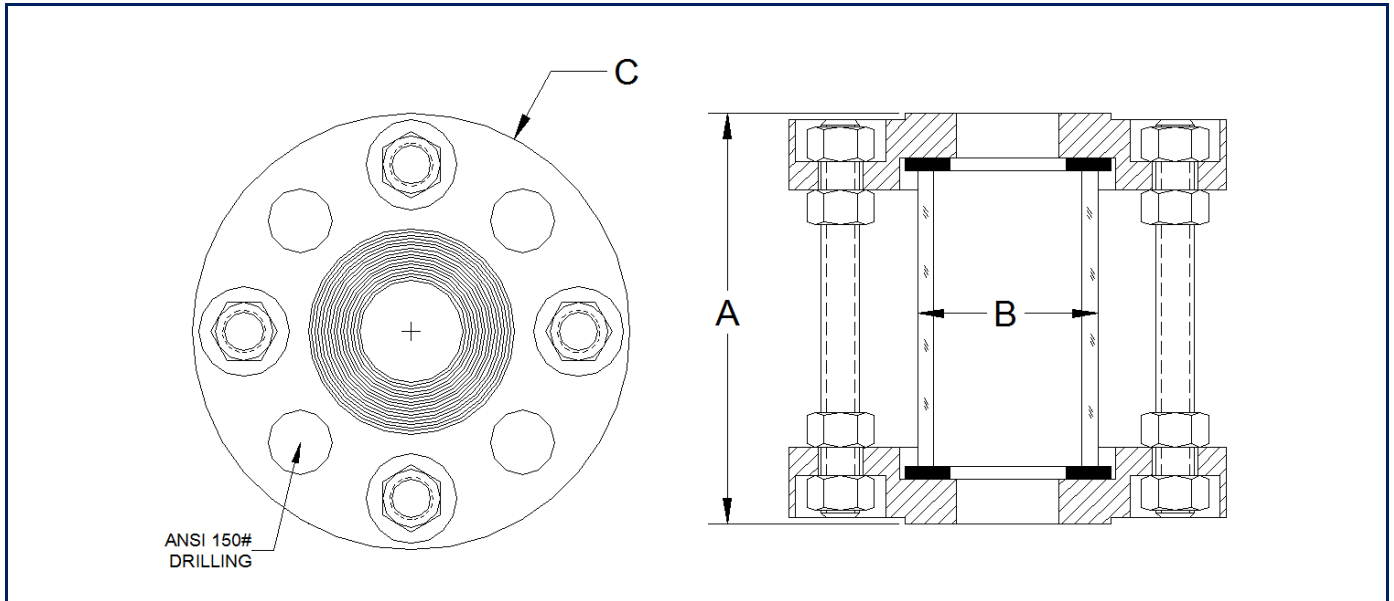
PAPAILIAS, Inc. Series LIF - 150# ANSI Flanged Full View Sight Flow Indicator show with Optional Impact Guard and PTFE Lining



PAPAILIAS, Inc. Series LIF 150# ANSI Flanged Full View Sight Flow Schematic View

OPTIONAL ACCESSORIES:

- a. Series PL, MSL, SLEX, REX, FIBERLUX Illuminators
- b. Flutter and Drip Tube internal flow indicators
- c. PTFE Lined flanged ends
- d. Custom Graduations and Markings



SIZE/MODEL	MAX. RATING	A	B	C	EST. WEIGHT
1/2" LIF	150PSI/FV@100°F	3-7/8"	1-1/4"	3-1/2"	6 Lbs
3/4" LIF	150PSI/FV@100°F	3-7/8"	1-1/2"	3-7/8"	9 Lbs
1" LIF	150PSI/FV@100°F	4"	1-3/4"	4-1/4"	13 Lbs
1-1/2" LIF	120PSI/FV@100°F	4"	2-1/2"	5"	18 Lbs
2" LIF	100PSI/FV@100°F	4-3/4"	3"	6"	26 Lbs
2-1/2" LIF	85PSI/FV@100°F	5-3/8"	3-1/2"	7"	32 Lbs
3" LIF	100PSI/FV@100°F	5-3/8"	4"	7-1/2"	35 Lbs
4" LIF	70PSI/FV@100°F	7-1/2"	5"	9"	60 Lbs
6" LIF	45PSI/FV@100°F	7"	7"	11"	60 Lbs

ORDERING INFORMATION:

/ / / /

Connection Size:

- 1/2" LIF = 1/2" 150# RF
- 3/4" LIF = 3/4" 150# RF
- 1" LIF = 1" 150# RF
- 1 1/2" LIF = 1 1/2" 150# RF
- 2" LIF = 2" 150# RF
- 3" LIF = 3" 150# RF
- 4" LIF = 4" 150# RF
- 6" LIF = 6" 150# RF

Flanged Ends:

- CS - Carbon Stl
- 304 - 304/304L SST
- 316 - 316/316L SST
- C22 - Alloy C22
- C276 - Alloy C276
- A20 - Alloy 20
- Other - Specify

Cylinder:

- Blank - Annealed
- Borosilicate [Std]
- QTZ - Quartz
- ACR - Acrylic
- LEX - Polycarbonate
- Other - Specify

Seal Gasket:

- EPDM - EPDM
- TFE - ePTFE
- FKM - Viton/FKM
- SIL - Silicone
- NEO - Neoprene
- GPH - Graphite
- Other - Specify

Option(s):

- PTFE LINED - Solid PTFE
- Flange Liners (all wetted parts PTFE and Glass)
- ACR - Acrylic Impact Guard¹

Sample Part #: 3"LIF/316/TFE/PTFE LINED/ACR

3" 150# Flanged Full View Sight Flow Indicator with 316 stainless steel raised face flanged ends Annealed Borosilicate glass Cylinder, Expanded PTFE Seal Gasket. Fitted with PTFE Flange Liners and Acrylic Impact Guard.

¹ Not for spray-out or personnel protection